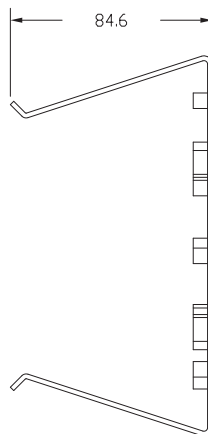
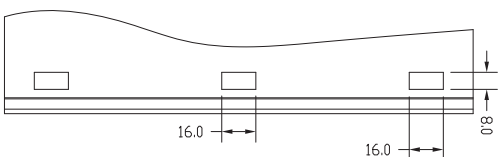
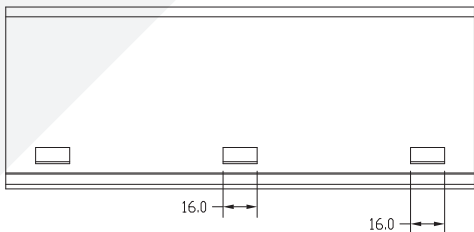
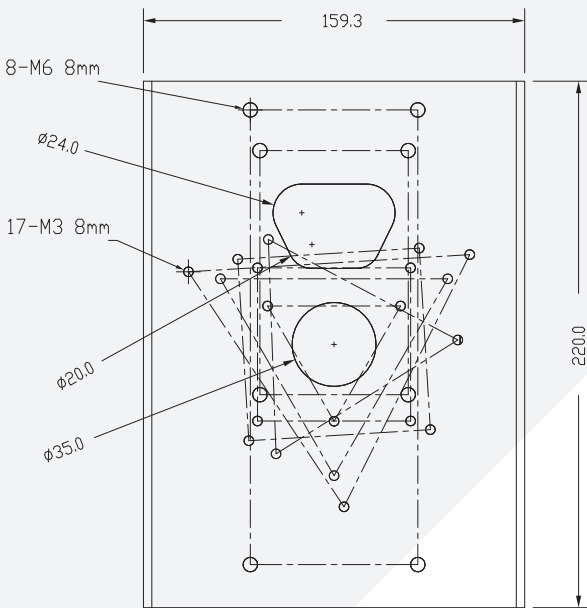


CP-PLM-V2

Pole Mount

DIMENSIONS

ALL DIMENSIONS ARE IN MM



COMPATIBILITY

- ◆ CBP6325-IP/AHD Internal Dome Cameras
- ◆ CVP9325-IP/AHD External Dome Cameras
- ◆ CVP9329-IP/AHD Eyeball Cameras
- ◆ CVP9316-IP/AHD Turret Cameras
- ◆ CVP5325-IP/AHD Compact External Dome Cameras
- ◆ AIR3525-IP/AHD Compact Bullet Cameras
- ◆ AIR8010 & AIR8025-IP/AHD Large Bullet Cameras
- ◆ CP-BASE-1-V2 Small Junction Box
- ◆ CP-BASE-2-V2 Large Junction Box
- ◆ CP-WM-1-V2 Small Wall Mount
- ◆ CP-WM-2-V2 Large Wall Mount

NOTE:

Minimum Pole Width: 120MM

Maximum Pole Width: 180MM
(with supplied mounting ring, larger mounting rings can be fitted)