

TECHNICAL DATASHEET

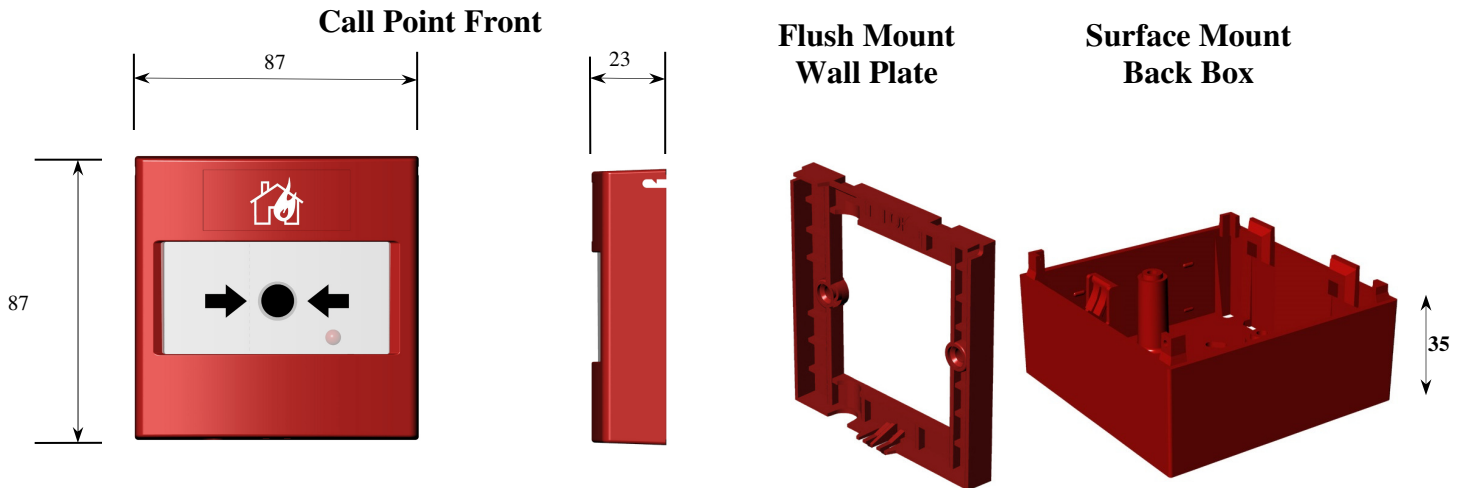
Part Numbers and Product Order Codes:-

Part Number	-	-	-	-	-	AS-MCP2-IP24
Description	-	-	-	-	-	Analogue Sensortec Manual Call Point
Computer Reference Number	-	-	-	-	-	F16N82300 – Surface Mount

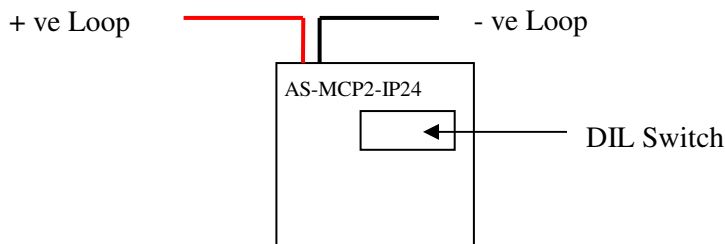
Technical Specifications:-

Operation Method	-	-	-	-	-	Non Frangible, Resettable
Operating Element	-	-	-	-	-	Microswitch
Operating Voltage	-	-	-	-	-	16 – 28 V d.c.
System Voltage	-	-	-	-	-	24V d.c.
Quiescent Current	-	-	-	-	-	300µA
Alarm Current	-	-	-	-	-	3mA
Operating Temperature	-	-	-	-	-	- 10°C to + 55°C
Storage Temperature	-	-	-	-	-	- 25°C to + 70°C
Charging Time	-	-	-	-	-	1 minute
Relative Humidity	-	-	-	-	-	≤ RH95% non-condensing.
I.P. Protection Rating	-	-	-	-	-	IP24
Addressing Method	-	-	-	-	-	8 Way DIL switch.
Material	-	-	-	-	-	POM / Polycarbonate
Dimensions	-	-	-	-	-	87mm x 87mm x 23mm
Back Box Depth	-	-	-	-	-	Surface or Flush shall be 35mm
Mass	-	-	-	-	-	115gms
Connections	-	-	-	-	-	Flying Leads

Dimensions



Connections



NOTE: Surface or
Flush mount Back
Box Shall be 35mm