

Concept Pro



4MP

**4.7-56.4mm
Motorised
Lens**

**80M
IR**

IP

AIR8012-IP4M-Z

Concept Pro 4MP IP 12x Motorised Zoom Bullet Camera

Utilising a 12x zoom lens with a focal length of 4.7-56.4mm the AIR8012 delivers a crisp image in day or night conditions. The Advanced Infrared will focus on the selected lens position from 1m to 80m and is separated from the camera body to ensure compliance with BS8418 standards.

The AIR8012 is housed in a solid die cast aluminium housing with a cable managed bracket which utilises a unique locking feature and an external test monitor output enables easy installation. The device offers 1 alarm input with 1 output and 1 audio input and output which can be used to connect external detection or audio devices. POE is enabled to power the AIR8012 and the infrared from a suitable POE switch or NVR and full control of the zoom lens can be achieved over the POE or by RS485. The overt design and style of the AIR8012 means that this camera will suit any security surveillance installation.

KEY FEATURES

- ◆ Max. 25FPS @ 4MP
- ◆ 4.7-56.4mm 12x Motorised Lens
- ◆ Enhanced Low Light Performance
- ◆ Up to 80m Advanced Infrared Technology
- ◆ H.265 Video Compression Codec
- ◆ Alarm & Audio I/O
- ◆ Number Plate Capture
- ◆ BS8418-compliant
- ◆ IP66-rated

OTHER FEATURES

- ◆ Analogue Service Video Output
- ◆ MicroSD Storage
- ◆ True WDR, 3D-DNR, HLC, BLC, Anti-Shake, Defog
- ◆ ONVIF Profile S-compliant



Onvif Compliant

This CCTV camera conforms to the ONVIF Core Specification that aims to standardise the network interface between all IP Security Products.



Advanced Infrared Technology

This CCTV camera utilises Concept Pro's Advanced Infrared Technology that adjusts the IR levels dependent on the proximity and movement of objects, delivering smooth and even illumination even in the most challenging of dark environments.



Number Plate Capture

Configure the camera to operate as a Number Plate Capture camera at up to 30m/70mph with just a few simple configurations.

**COMPATIBLE
WITH**



**CONCEPT PRO
IP RECORDING
RANGE**

AIR8012-IP4M-Z

Concept Pro 4MP IP 12x Motorised Zoom
Bullet Camera

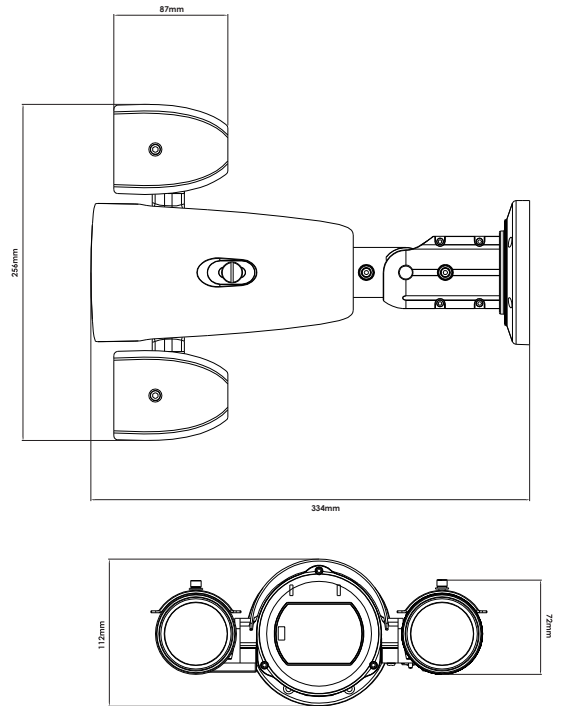
Concept Pro

SPECIFICATION

Model/Feature	AIR8012-IP4M-Z	
Camera	Video Output Type	IP
	Image Sensor	1/2.8" Progressive Scan CMOS
	Signal System	PAL/NTSC
	Min. Illumination	Enhanced Low Light Performance Color: 0.05 Lux @ (F1.2, AGC ON) B&W: 0 lux with IR LEDs on
	Electronic Shutter	Auto/Manual, 1/5 to 1/20,000s
	S/N Ratio	≥55dB
	IR LEDs	x6 Mounted Separately for BS8418 Compliance
	IR Illumination Range	Max. 80m
	IR Control	Auto/Manual/Off
	Adaptable IR	Auto
Lens	Pivot Axis	P: 360°, T: 90°, R: 360°
	Lens Type	Motorised Varifocal
	Mount Type	Built-in
	Focal Length	f=4.7-56.4mm (12x Optical Zoom)
	Aperture	F1.6-F3.0
	Angle of View	H: 59.13°-35.46°, V: 6.17°-3.65°
	Focus	Auto/Manual/Semi Auto
	Iris	Auto
	Compression	H.265 (MP)/H.264 (MP, BP, HP)/MJPEG
	Streaming Capability	Triple Streaming + SVC Stream
Video	Resolution	Stream 1: 2592x1520, 2560x1440, 2304x1296, 1920x1080, 1280x720 Stream 2: 704x576, 640x480, 640x360, 352x288, 320x240 Stream 3: 640x480, 352x288, 320x240
	Frame Rate	Stream 1: Max. 25/30FPS @ 4MP (2592x1520) Stream 2: Max. 25/30FPS @ D1 (704x576) Stream 3: Max. 25/30FPS @ VGA (640x480)
	Bit Rate Control	CBR/VBR
	Bit Rate	Stream 1: 500-12,000Kbps Stream 2: 100-1,500Kbps Stream 3: 512-8,000kbps
	Region of Interest	Supported, Max. x8 Areas
	Day/Night	True Day & Night with ICR (Auto/Day/Night/Schedule)
	Backlight Compensation	BLC/HLC
	Wide Dynamic Range	True WDR (120dB)
	White Balance	Auto/Tungsten/Daylight/Manual
	Gain Control	Auto/Manual
Event	Noise Reduction	3D-DNR (Auto/Manual)
	Electronic Image Stabilisation	Yes
	Defog	Yes
	Image Setting	Brightness, Saturation, Sharpness, Contrast
	Image Adjustment	Flip (Horizontal, Vertical, Horizontal + Vertical)
	Privacy Masking	Supported, Max. x4 Areas
	Number Plate Capture	Yes (Pending User Configuration), Max. 30m.70MPH
	Transmission Distance	Max. 100m over Ethernet
	Basic Motion Detection	Yes, Cell Type with Schedule
	Tamper Detection	-
Network	Basic Video Analytics	Perimeter, Virtual Fence, Loiter, Object Left, Object Removed, Abnormal Speed, Converse, Illegal Parking, Signal Bad Configure from Web UI & Program Alarm Output Trigger to NVR
	System Event	Day/Night Switch, Network Exception, MicroSD Disk Full
	Deep Learning Motion Detection	-
	Deep Learning Video Analytics	-
	Alarm Input	Yes, via Alarm Input (NO/NC)
	Audio Detection	Yes (Sudden Rise, Sudden Drop)
	Event Triggers	Alarm Output Trigger, SMTP, FTP Upload, Alarm Recording, IR Cut Trigger
	Ethernet	x1 RJ45 10M/100M Base-T Ethernet
	Protocol	TCP/IP, UDP/IP, IPv4, IPv6, DHCP, DNS, RTCP/RTP, RTSP, HTTP, HTTPS, NTP, 802.1x, DDNS, PPPoE, SMTP, FTP, SNMP, QOS, UPnP, ARP
	Interoperability	ONVIF Profile S/G/Q, SDK, CGI
Interface	Security	IP Filter, User Verification, Hardware Watchdog
	ONVIF Channels	Max. 4 Streams
	Streaming Method	Unicast
	Max. User Access	x10
	Edge Storage	MicroSD (Max. 128GB)/Local PC (Snapshot/Recording)
	Video Interface	Analogue SVO x1
	Alarm Interface	x1 Input, x1 Output
	Audio Interface	x1 Input, x1 Output
	Audio Compression	G.711µ/G.711a/RAW_PCM
	RS-485	x1
General	Control Protocol	Pelco-D/Pelco-P (300-115200bps)
	Reset Button	Yes
	Power Supply	PoE 802.3af/DC12V
	Power Consumption	Max. 3.542W (IR Off) Max. 10.765W (IR On)
	Power Output	-
	Operating Temperature	-25°C to +55°C
	Operating Humidity	<90% Non-condensing
	Ingress Protection	IP66
	Vandal Resistance	-
	Housing Materials	Metal
Certification	RAL	RAL7021 Black Grey
	Dimensions	(L) 334mm x (W) 256mm x (H) 112mm
	Net Weight	-
	Gross Weight	-
	Certifications	CE

DIMENSIONS

All measurements are in mm.



ORDER CODE

• **AIR8012-IP4M-Z**

Concept Pro 4MP IP 12x
Motorised Zoom Bullet Camera



MOUNTING OPTIONS

CP-BASE-1-G

Small Junction Box for AIR2024/3526/4528/8012 Bullet Cameras (Black Grey)

**COMPATIBLE
WITH**



**CONCEPT PRO
IP RECORDING
RANGE**