

# BoundaryShield Battery Powered Wireless IR Beams



2a Bellevue Road, Friern Barnet, London N11 3ER  
T. 020 8368 7887 F. 020 8368 3952  
info@luminite.co.uk

## Product Overview

The BoundaryShield range of Wireless Active Infra Red Beams enable fast, flexible installations with low maintenance and costs.

Luminite battery powered wireless Active IR beams are fitted with Genesis transmitters and are compatible with all Luminite Genesis wireless products enabling long range communication up to several kilometres. The combination of active IR and wireless communication makes this an ideal solution for large circumference perimeter detection.

Active beams come in two detection ranges (60 metre & 100 metre) and with either fixed or adjustable frequency control to avoid cross talk between beams.

Both the 200 and 350 types of beams may be used as Stand Alone or mounted inside a tower by detaching the transmitter and battery enclosure.

Long battery life is achieved by specialised low power circuitry and the use of Lithium batteries. Low battery warning is transmitted to the receiver which can then be indicated locally or remotely by email alert or via the ARC. Wireless communication is secure and robust by way of polling and rolling codes.

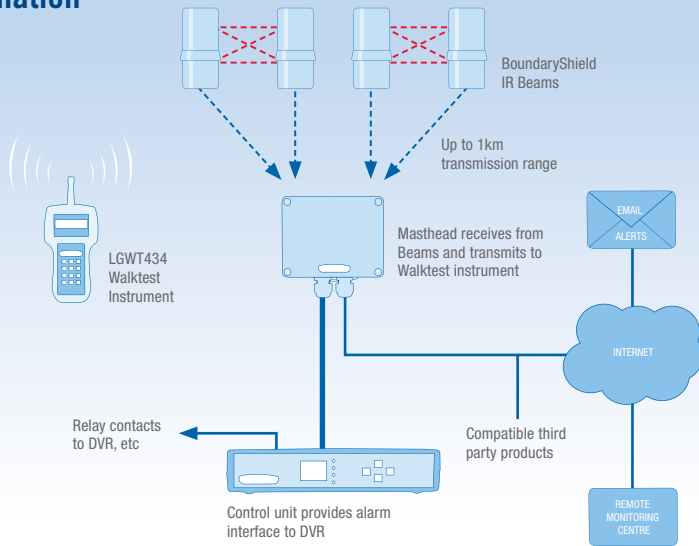


## Specifications

	BSAX200TFRL	BSSL350QNR	BSSL350QFRL
Maximum detection range	60m		100m
Transmitter frequency	434.525Mhz 10mw		434.525Mhz 10mw
Transmission	1km		1km
Detection method	Infrared beam interruption detection		Quad infrared beam interruption detection
Selectable beam frequency	4 Channel	Fixed	4 Channel
Interruption time	Variable between 50/100/250/500ms (4 steps)		Variable between 50/100/250/500ms (4 steps)
Power source	3.6V, 13.0Ah: (4) LSH20 lithium batteries manufactured by SAFT		3.6V, 13.0Ah: (4) LSH20 lithium batteries manufactured by SAFT
Current draw	810µA Transmitter: 490µA + Receiver: 320µA (at 25°C, 3.6VDC)		745µA. Transmitter: 420µA + Receiver: 325µA (at 25°C, 3.6VDC)
Battery life	Transmitter: Approx 3 years Receiver: Approx 5 years		Transmitter: Approx 4 years. Receiver: Approx 5 years
Alarm output	Transmitted		Transmitted
Alarm period	2 sec (±1) (Nominal)		2 sec (±1) (Nominal)
Tamper output	Transmitted		Transmitted
Low battery output	Transmitted		Transmitted
Low battery indicator	LED		LED
Operating temperature	-20°C - +60°C (-40°F - 140°F)		-20°C - +60°C (-40°F - 140°F)
Alignment angle	±90° Horizontal, ±10° Vertical		±90° Horizontal, ±10° Vertical
Ingress protection	IP54		IP54



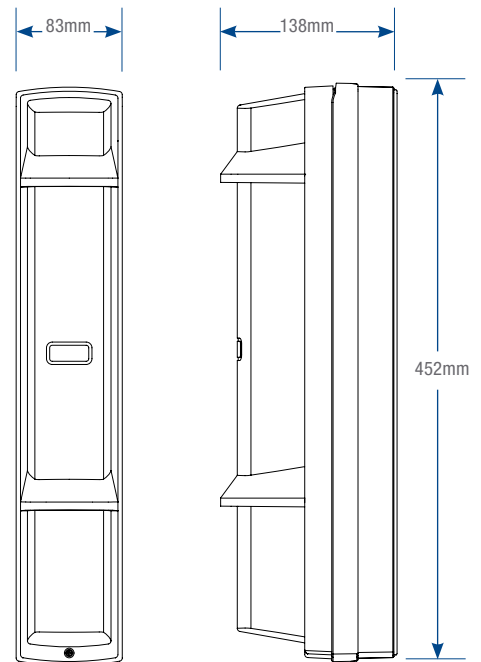
## Installation



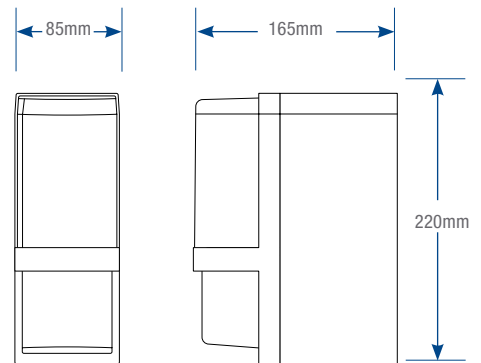
2a Bellevue Road, Friern Barnet, London N11 3ER  
 T. 020 8368 7887 F. 020 8368 3952  
 info@luminite.co.uk

## Dimensions

BSSL350QNR/L/QFRL



BSAX200TFRL



## For Use With BoundaryShield



LGMT434  
Genesis Masthead Receiver



LGIP MT434  
Genesis IP Masthead Receiver



LGMRU4x4  
Masthead Receiver  
with Relays



LGWT434  
Walk Test Instrument



LGRU16 Relay Unit  
16 Alarms & 16 Tamper



LGRU16ELR Relay Unit  
16 Alarms & 16 Tamper

For more information see separate datasheets

## Accessories

BSAX-WMT  
Single sided wall  
mount 1.7m beam tower.  
Will accept two beam  
heads in any combination.



BSAXBT  
Double sided free  
standing 1.7m beam tower.  
Will accept four beam  
heads in any combination.



BSTF  
Tower base  
For use with the BSAXBT tower  
when the ground is soft.



BSMP4  
Mounting kit for BSAX200TFRL  
beams only. Not required for the  
BSSL350 beams.



LSH20  
SAFT battery. 3.6 volt D Cell for use with Boundary Shield  
wireless beams. Two batteries required per beam

