

## D-TECT Pet Immune Motion Detector

### Accurate and reliable detection with pet immunity

The D-TECT Pet Immune only alerts to an intrusion when both PIR's and the microwave are triggered simultaneously, providing truly reliable performance and exceptional resistance to unwanted alarms.

The D-TECT Pet Immune is perfect for residential or commercial outdoor applications where pets and other animals roam free.

GJD's D-TECT Pet Immune is designed to provide reliable immunity for animals weighing up to 30kg. It also has a selectable range on the PIR and microwave up to 15m.

### PRODUCT CODES

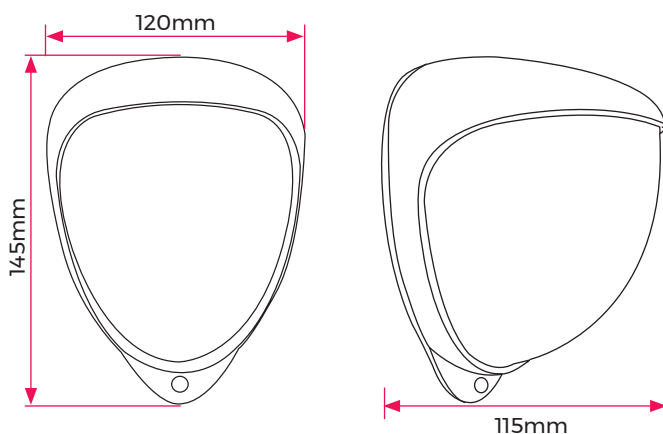
**GJD370** D-TECT Pet Immune Detector 10.525GHz

**GJD371** D-TECT Pet Immune Detector 10.587GHz UK

**GJD372** D-TECT Pet Immune Detector 9.9GHz



### DIMENSIONS



### FEATURES

- Active infra-red sensor system to prevent mask tampering
- Adjustable 180° pan and 30° tilt
- Conduit adaptor available
- Selectable range up to 15m on PIR & microwave
- Covert sensor module
- Adjustable pulse count (programmed through DIP switches) 1-4
- Built in anti-sway on the microwave
- Mounting height up to 1.8m

### BENEFITS

- Modern design
- Exceptional resistance to false alarms
- Robust IP65 rated ABS housing
- Superior PIR, microwave and anti-mask sensor protection
- Pet immunity up to 30Kg

# SPECIFICATIONS

## ACCESSORIES

<b>GJD304</b>	Conduit adaptor
<b>PMB1</b>	Pole mount bracket

<b>DETECTION RANGE</b>	Up to 15m selectable
<b>COVERAGE</b>	10° - 70° detection angle,
<b>WALK TEST</b>	Output test mode with LED indication
<b>OPERATING TEMPERATURE</b>	-20°C to +55°C Conformally coated electronics for increased stability
<b>ADJUSTMENT</b>	180° pan, 30° tilt
<b>MOUNTING HEIGHT</b>	Up to 1.8m
<b>POWER INPUT</b>	9-15 V DC
<b>INDICATOR LEDs</b>	1 x Red - Top PIR 1 x Green - Bottom PIR 1 x Amber - Anti-Mask 1 x Blue - Alarm
<b>OUTPUTS</b>	3 x volt-free, silent solid state magnetically immune, incl. common tamper (front and rear switches)
<b>WEATHER RATING</b>	IP65
<b>PULSE COUNT</b>	Programmed through DIP switches
<b>MICROWAVE FREQUENCY</b>	<b>GJD370</b> 10.525GHz <b>GJD371</b> 10.587GHz UK <b>GJD372</b> 9.9GHz

## BEAM PATTERNS

