

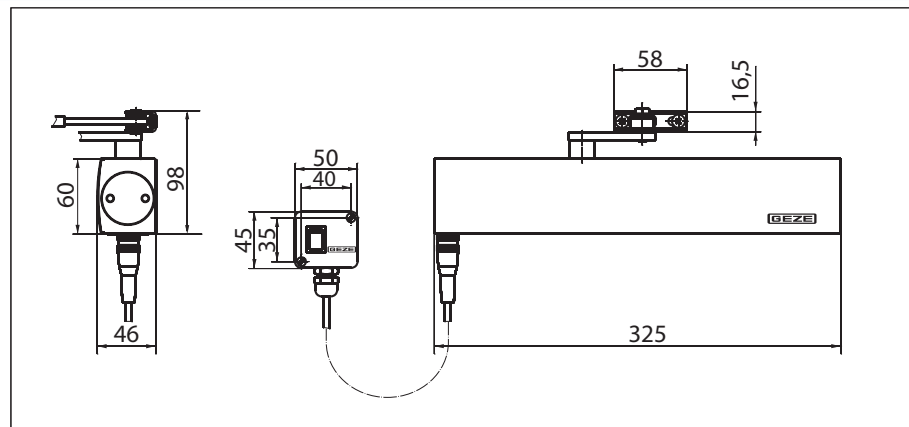
## GEZE TS 4000 EFS

### Link arm door closer for single-leaf doors with a leaf width of up to 1400 mm with electric free swing function

TS 4000 EFS (24 V DC) overhead door closer for single-leaf doors features what is known as a “free swing” function. This enables people to go through the door by applying very little in the way of physical force in the opening or closing direction once the freeswing function has been activated by opening the door to about 90° once e.g. in the morning. This makes it ideal, for example, for use in facilities for the elderly or in hospitals. TS 4000 EFS features an electric hold-open device with variable adjustment between 80° and 175° in accordance with EN 1155 to support the free swing function. It is approved for use with left-hand and right-hand single-action doors with a door leaf width of up to 1400 mm and for installation on fire and smoke protection doors. The size 1-6 closing force in accordance with EN 1154, with visual closing force display, and the thermo-constant closing speed can be conveniently adjusted from the front; the latching action is adjusted by means of the link arm.

#### Special version:

- GEZE TS 4000 EFS/transom installation on opposite hinge side 24 V DC



#### Area of application

- For single-action doors, leaf width of up to 1400 mm
- For right and left hung doors without the need for conversion
- For fire protection doors (door closers with mounting plate)
- Standard installation on door leaf hinge side; transom installation on opposite hinge side also possible

**Closer technical data**

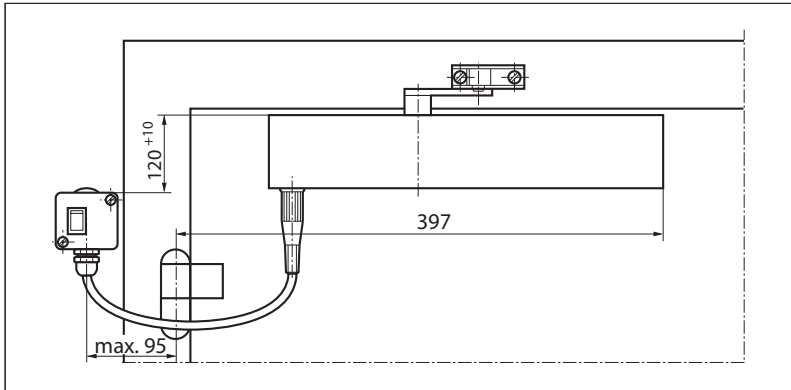
<b>Product features</b>	<b>GEZE TS 4000 EFS closer</b>
Closing force in accordance with EN 1154	1 - 6
Leaf width recommended up to	1400 mm
Same version for DIN left and DIN right	●
Supply voltage	24 V DC
IP rating	IP 43
Product tested in accordance with	Door closer tested in accordance with EN 1154 Hold-open device tested in accordance with EN 1155
Suitable for fire protection doors	●
Mounting plate with hole pattern acc. to EN 1154 Supplement 1	●
Length	325 mm
Installation depth	46 mm
Height	60 mm
<b>Functions</b>	
Adjustable closing force	with variable adjustment
Adjustable closing speed	●
Adjustable latching action	via link arm
Integrated back check	○
Closing force adjustment position	Front
Visual closing force display	●
Safety valve as protection against vandalism	●
Thermo-constant valves	●
Integrated hold-open device	Electric
Free swing area	80°-175°

● = yes

○ = no

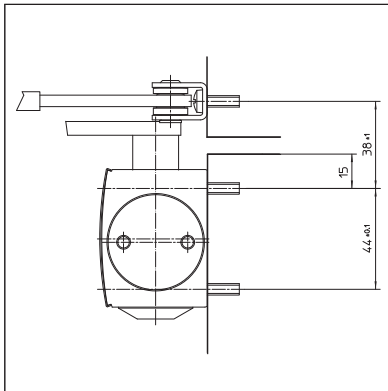
Door leaf installation/hinge side TS 4000 EFS

View

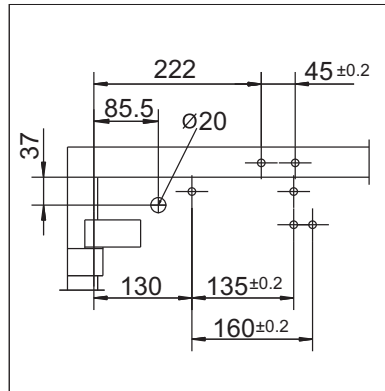


Installation example for GEZE TS 4000 EFS

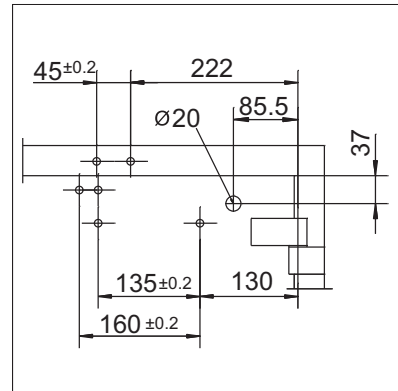
Direct installation



Cross section = direct installation

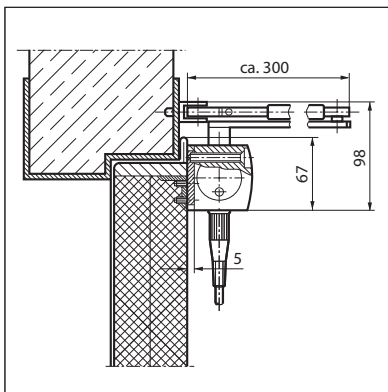


Fitting dimensions for left-hand door

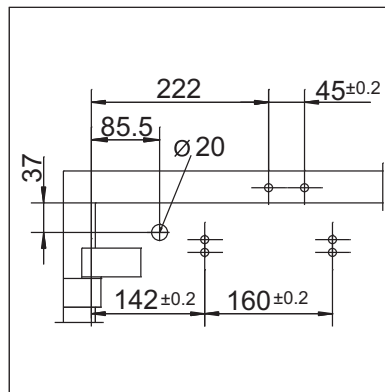


Fitting dimensions for right-hand door

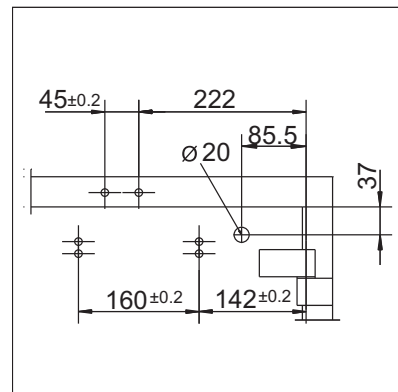
Installation with mounting plate



Cross section = installation with mounting plate



Fitting dimensions for left-hand door

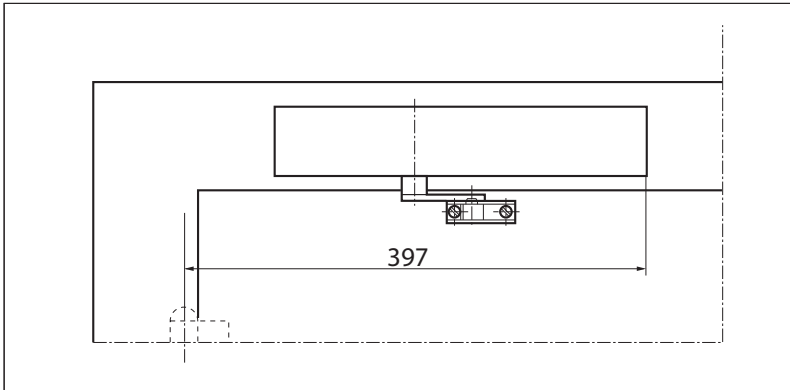


Fitting dimensions for right-hand door

# GEZE TS 1500 / TS 2000 / SYSTEM TS 4000

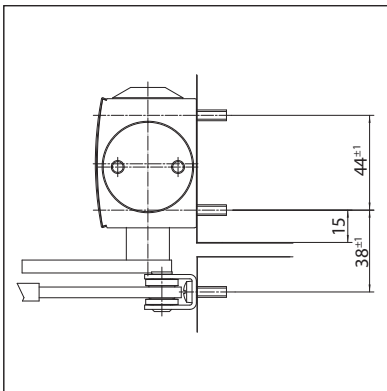
## Transom installation/opposite hinge side TS 4000 EFS

View

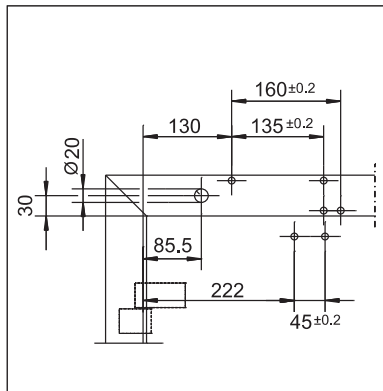


Installation example for GEZE TS 4000 EFS

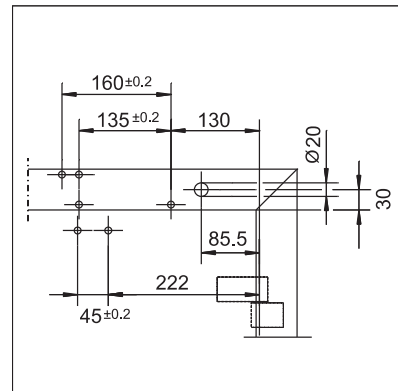
### Direct installation



Cross section = direct installation

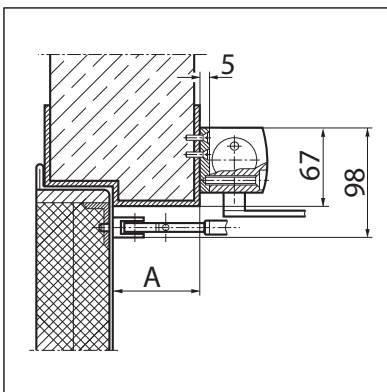


Fitting dimensions for right-hand door

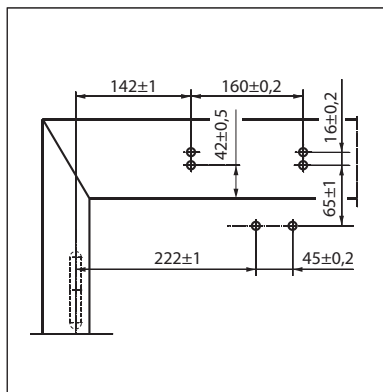


Fitting dimensions for left-hand door

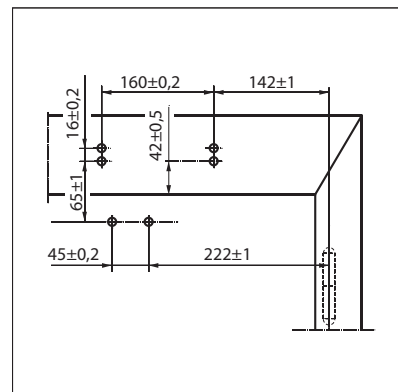
### Installation with mounting plate



Cross section = installation with mounting plate  
A = max. 70 mm lintel depth for fire and smoke protection doors



Fitting dimensions for right-hand door



Fitting dimensions for left-hand door